

# TFF Module

## DESCRIPTION

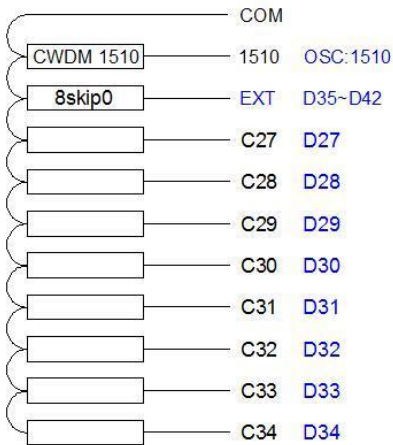
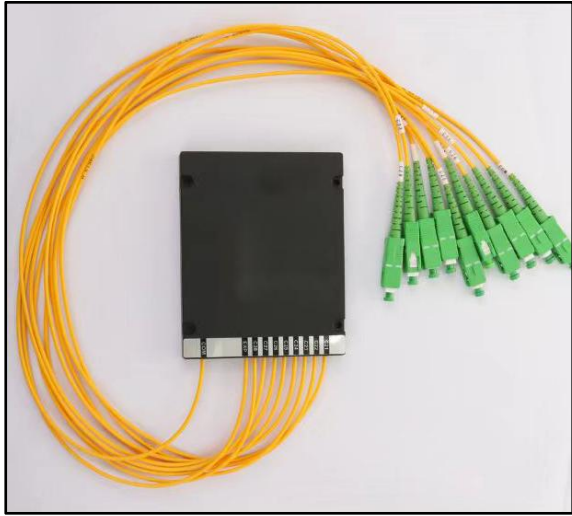
Abalone 100GHz/200 GHz dense wavelength division multiplexer (DWDM module) utilizes thin film coating technology and proprietary design of non-flux metal bonding micro optics packaging to achieve optical add and drop at the ITU wavelengths. It provides ITU channel center wavelength, low insertion loss, high channel isolation, wide pass band, low temperature sensitivity and epoxy free optical path . It can be used for wavelength add/drop in telecommunication network system.

## FEATURES

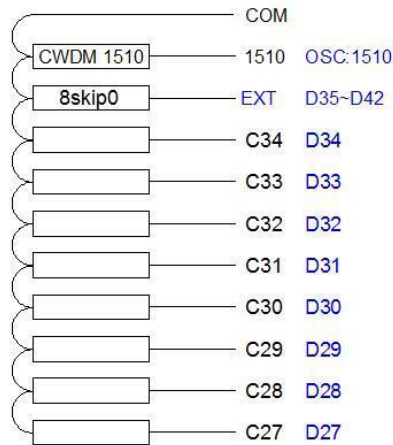
- Low Insertion Loss
- High stability and reliability
- Wide pass band
- Epoxy free on optical path
- High Channel

## APPLICATIONS

- Channel Add/Drop
- DWDM Network
- Wavelength Routing
- Fiber Optical Amplifier
- CATV Fiberoptic System



Mux



Demux

## SPECIFICATIONS

Parameter	Unit	Specification	
		Mux	Demux
Channel Number	CH	10	
Port Number	port	11	
Working Wavelength Range	nm	ITU 100GHz Grid	
Channel Spacing	GHz	100	
Channel Passband	nm	≥0.22	
Insertion Loss	dB	≤4.1	
Isolation	Adjacent	>30	
	Non- adjacent	>40	
Directivity	dB	≥50	
Return Loss	dB	≥45	
Polarization Dependent Loss	dB	<0.2	
Package Dimension	mm	L120 x W80 x H18(ABS BOX)	

Note: Above specifications are for module include connector.  
MUX and DEMUX packaged in one box.

Non contractual pictures

# TFF Module

## ABSOLUTE MAXIMUM RATINGS

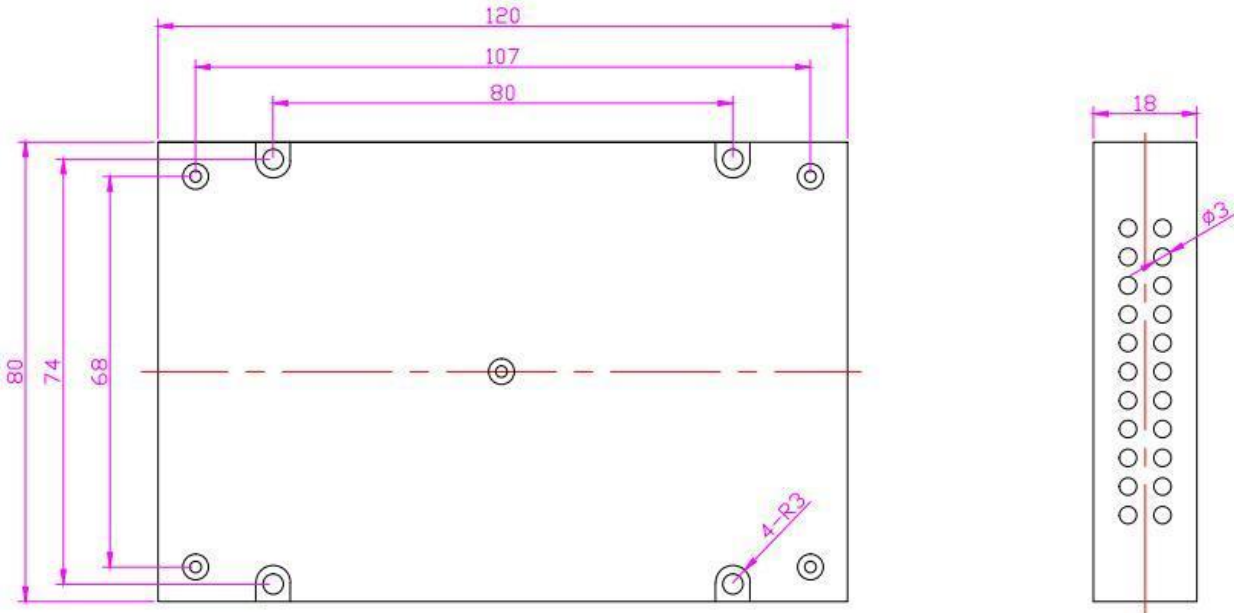
NO.	Parameter	Specification	Units	Note
3.1	Operation Temperature	-5 ~ +70	°C	
3.2	Storage Temperature	-40 ~ +85	°C	
3.3	Operation Humidity	5 ~ 95	%RH	
3.4	Tensile Strength	>5	N	

## PIGTAIL and CONNECTOR

NO.	Parameter	Specification	Units	Note
4.1	Pigtail Type	SMF28e With 900um Loose Tube	--	
4.2	Pigtail Length	As below	mm	
4.3	Connector Type	All ports with LC/UPC ends	--	

Pigtail Length Unit:mm							
MUX Fiber Length							
Wavelength	-	1510	C35~C42	C27	C28	C29	C30
Port	COM_M	OSC_M	EXT_M	M27	M28	M29	M30
Length	400±10	320±10	320±10	190±10	190±10	220±10	220±10
Wavelength	C31	C32	C33	C34			
Port	M31	M32	M33	M34			
Length	270±10	270±10	300±10	300±10			
DEMUX Fiber Length							
Wavelength	-	1510	C35~C42	C27	C28	C29	C30
Port	COM_D	OSC_D	EXT_D	D27	D28	D29	D30
Length	400±10	320±10	320±10	190±10	190±10	220±10	220±10
Wavelength	C31	C32	C33	C34			
Port	D31	D32	D33	D34			
Length	270±10	270±10	300±10	300±10			

## MECHANICAL DRAWINGS



Non contractual pictures