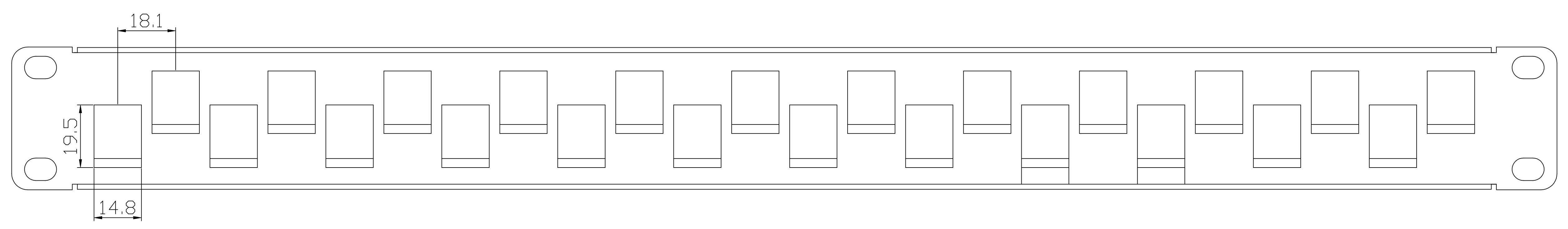
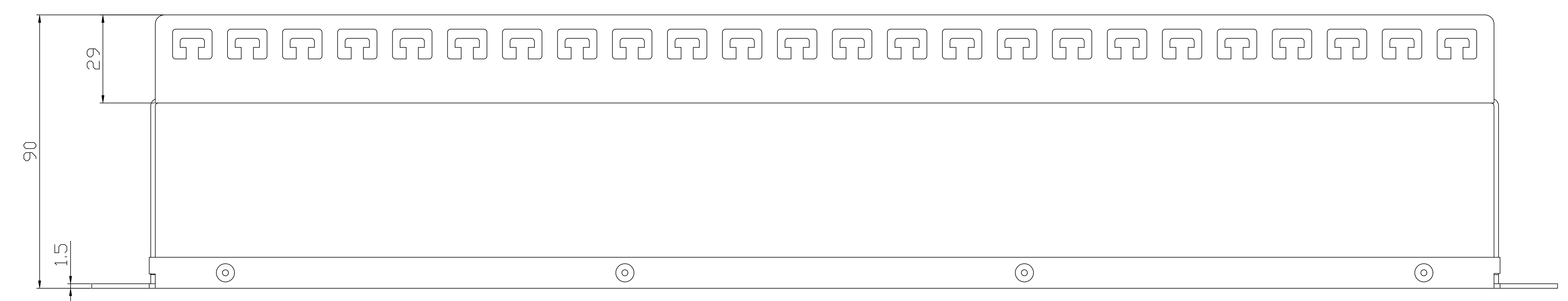
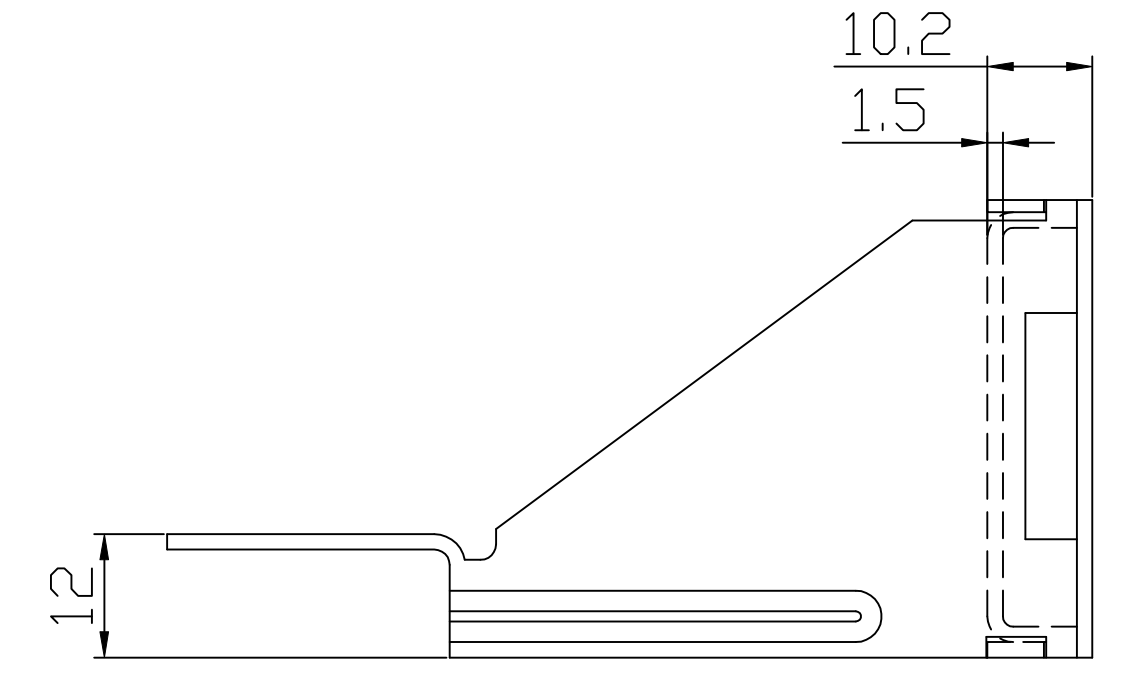
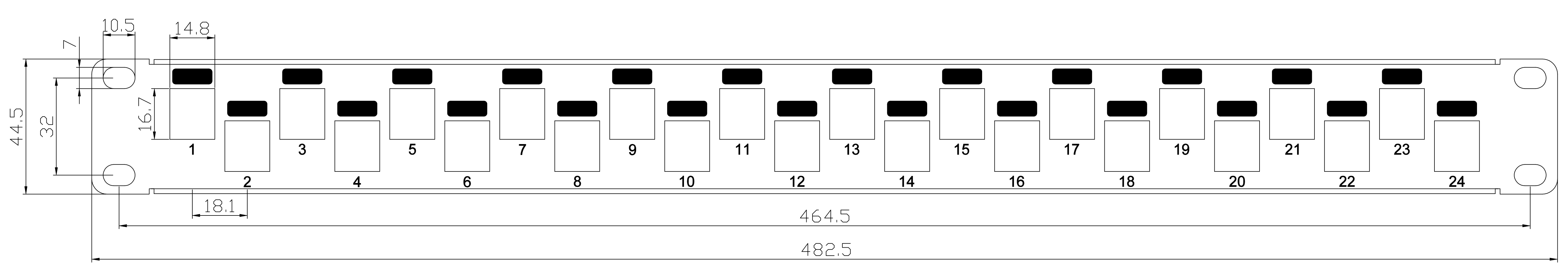
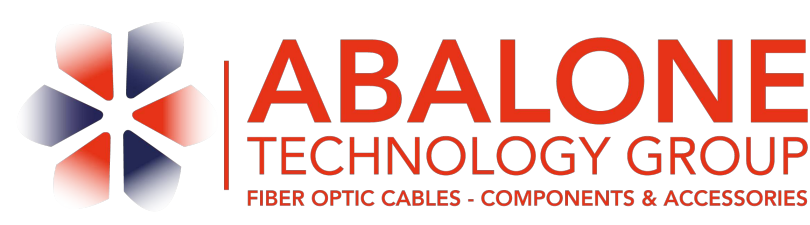
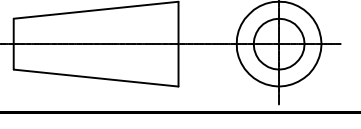


REV	DATE	MODIFICATION	DRAWN
	20/04/2022		



X, ±0.3	X, °±	 ABALONE Abalone Technology Group <small>TECHNOLOGY GROUP</small> (Wuhan)Co., Ltd <small>FIBER OPTIC CABLES - COMPONENTS & ACCESSORIES</small>	
.X ±0.2	.X °±		
.XX ±0.1	.XX °±	QTY	DWG NO.
.XXX ±0.05	.XXX °±	TITLE	
MATERIAL	FINISHING	24 Port Blank Unshielded Staggered patch panel	
APPROVAL	CHECKED	DRAWN	SCALE 1/1 SHEET 1/1
		PROJ. 	REV 1